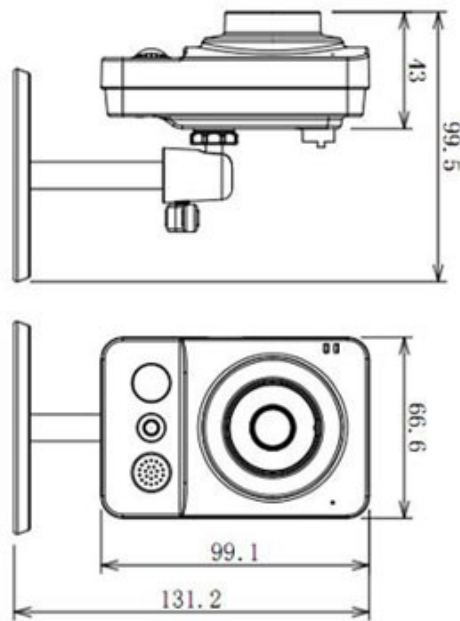


# CP-UNC-CS10L1

## 1 MP HD IR IP Cube Camera



### Main Features

- 1/4" 1 Megapixel CMOS Image Sensor
- H.264 & MJPEG dual-stream encoding
- Max 25/30fps@720P(1280×720)
- DWDR, Day/Night, 3DNR, Auto iris, AWB, AGC, BLC
- 3.6mm fixed lens
- PIR Sensor Range upto 6Mtr.
- IR Range of 10 Mtr.
- CE, FCC & RoHS Certified



# CP- UNC-CS10L1

## 1 MP HD IR IP Cube Camera

### Feature

Image Sensor  
 Minimum Illumination  
 Shutter Speed  
 White Balance  
 Lens  
 Gain Control(AGC)  
 Back Light Compensation  
 Video Compression  
 S/N Ratio  
 Video Streaming  
 Resolution  
 Privacy Mask  
 ICR  
 Audio Input  
 Audio Compression  
 Audio Output  
 Alarm IN  
 Alarm Out  
 PIR Sensor  
 Protocol  
 Ethernet  
 User Account  
 Smart Phone  
 IR  
 Micro SD  
 Operating Temperature  
 Power Source  
 Power Consumption  
 Regulatory  
 Dimension

### Specification

1/4" 1 Megapixel CMOS  
 0.1lux/F1.2  
 Auto/Manual 1/3(4)~1/10000  
 BLC / HLC / DWDR  
 3.6mm  
 Auto/Manual  
 BLC / HLC / DWDR  
 H.264/MJPEG  
 more than 50dB  
 Main Stream: 720P(1~25/30fps), Extra Stream: D1/CIF(1 ~ 25/30fps)  
 720P(1280x720)/D1/CIF  
 Up to 4 areas  
 Auto(ICR) / Color / B/W  
 Built-in Mic  
 G.711a / G.711u / PCM  
 Built-in speaker  
 1 Ch.  
 1 Ch.  
 Up to 6m  
 IPv4/IPv6, HTTP, SSL, TCP/IP, UDP, UPnP, ICMP, IGMP, SNMP, RTSP, RTP, SMTP, NTP, DHCP, DNS, PPPOE, DDNS, FTP, IP Filter, QoS, Bonjour, ONVIF Ver. 2.0  
 RJ-45(10/100Base-T)  
 10 users  
 iPhone, iPad, Android, Windows Phone  
 IR Range of 10Mtr.  
 Max 64GB  
 30°C~+60°C, Less than 95%RH  
 DC12V  
 <4W  
 CE, FCC, RoHS  
 66.6mm × 99.5mm × 131.2mm

*\*Product casing and specifications are subject to change without prior notice*



**CP- UNC-CS10L1**  
**1 MP HD IR IP Cube Camera**

**Feature**

Weight

**Specification**

0.35kg (0.4kg with bracket)